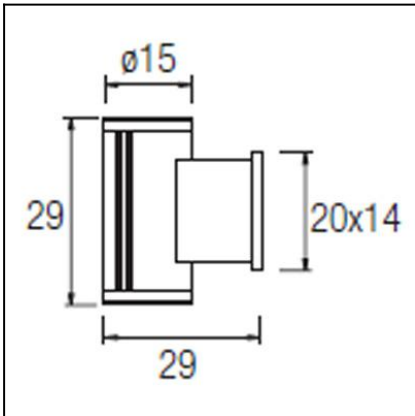




The photograph may not match the reference exactly. Please read the product description to identify the finish.

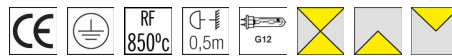


Description

Straight edged lamp designed for lighting vertical surfaces. Injected aluminium body and tempered glass diffuser. Available in various sizes and finishes: white, light grey, dark grey and brown. Available in different wattages for metal halide lamps, LED and fluorescent lights.

TECHNICAL CHARACTERISTICS

Type:	Wall fixture
IP Protection degrees:	IP65
IK Protection degrees:	IK08
Light source 1:	1 x G12 HIT-T-70W
Angle of the optics / Reflector:	40°
Voltage / Frequency:	220-240V/50-60Hz
Warranty (Years):	2
Units per box:	2
Net Weight (Kg):	5.175
EAN:	8435111050439



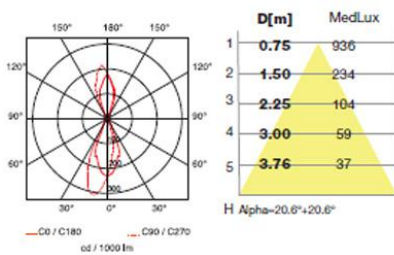
MATERIALS / FINISHES

Structure material: Injected aluminium

Diffuser material: Glass

Structure finish: Grey

Diffuser finish: Tempered



GEAR

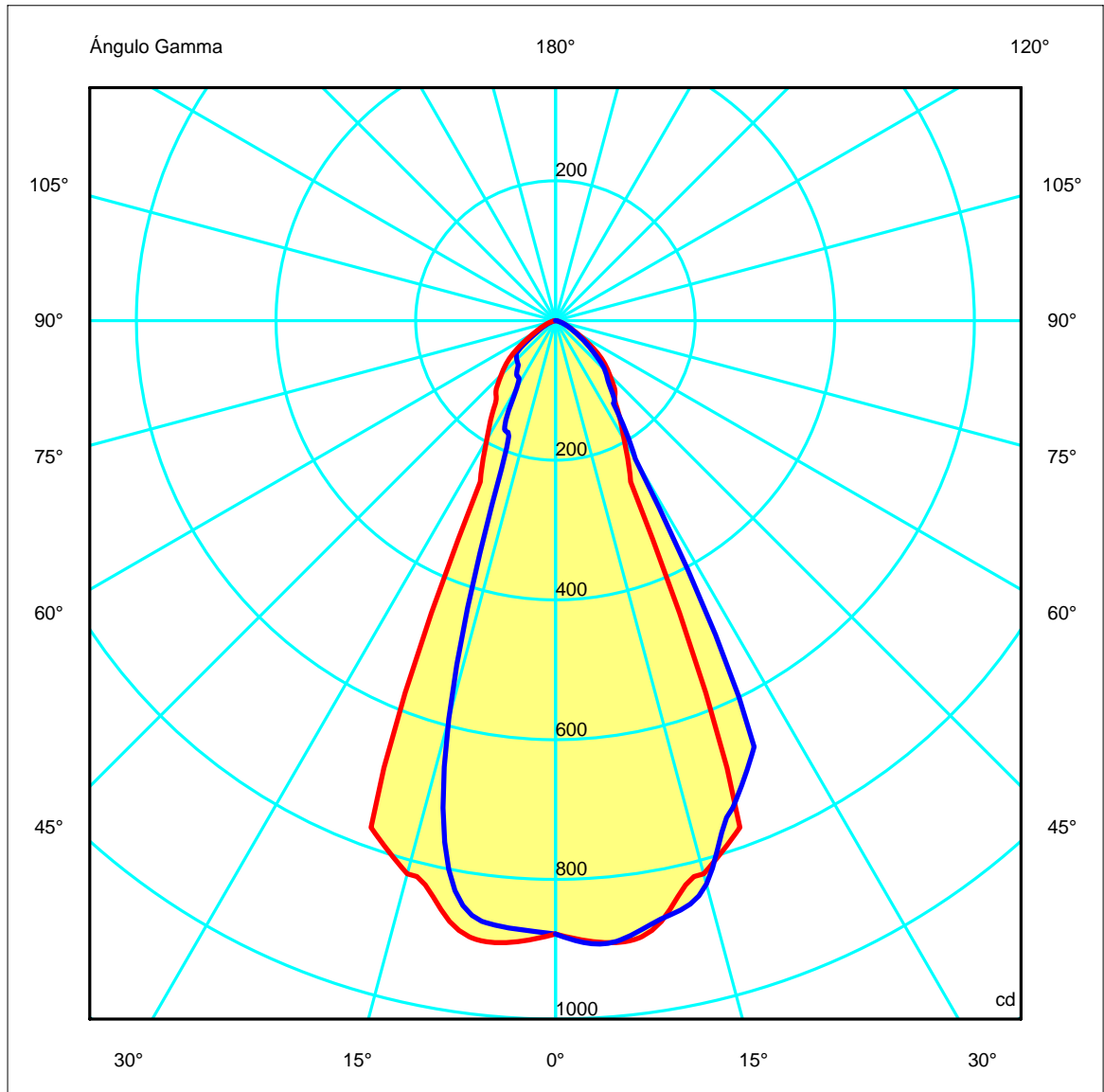
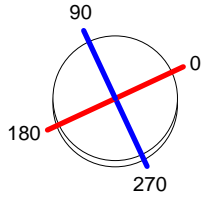
Gear included: Yes, Magnetic

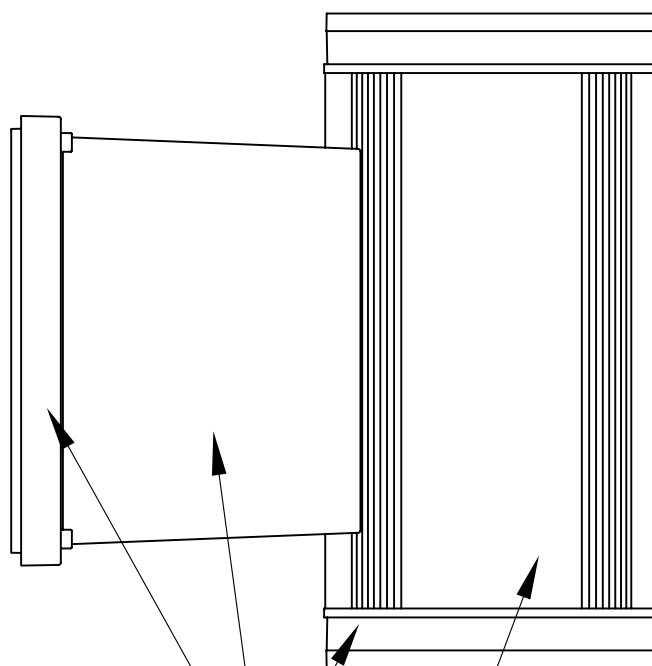
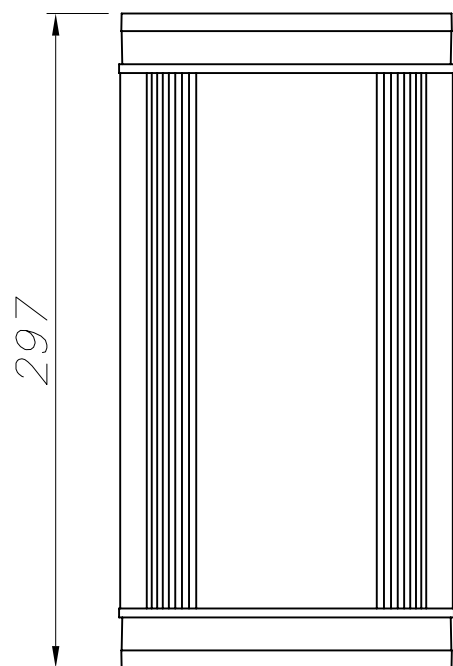
Luminaria		Ensayo		Lámpara	
Código	05-9204-34-B8 DIR	Código	05-9204-34-B8 DIR	Código	CDMT70/830
Nombre	Aplicado directo COSMOS 70W G12	Nombre	Aplicado directo COSMOS 70W G12	Número	1
Familia	- LEDS-C4	Fecha	24-03-2010	Posición	Universal
Eficiencia	10.36%	Sist. de Coorden.	C-G	Flujo Total	6600.00 lm
Valor Máximo	898.58 cd	Posición	C=60.00 G=5.00	Sim. en los planos	270-90

Diam=150mm

Semiplanos C

270.0 ————
 180.0 ———— 0.0
 ———— 90.0

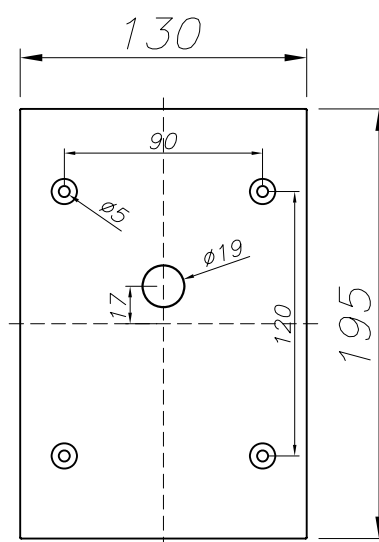
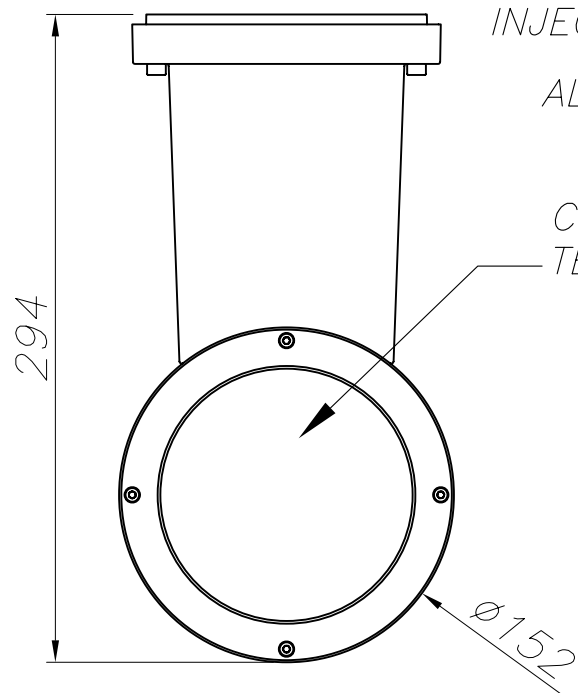




ALUMINIO INYECTADO
INJECTED ALUMINUM

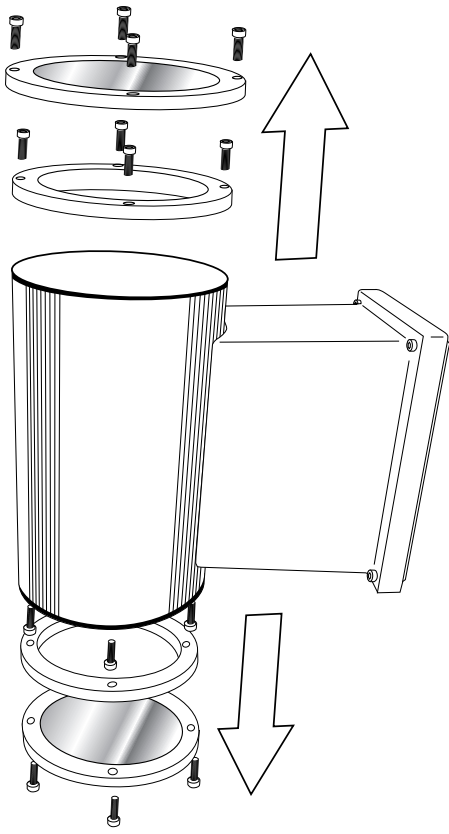
ALUMINIO EXTRUSIONADO
EXTRUDED ALUMINUM

CRISTAL TRANSPARENTE TEMPLADO
TEMPERED TRANSPARENT GLASS

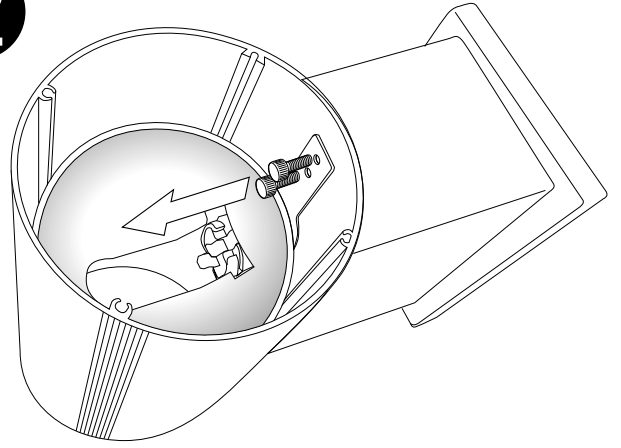


PLANTILLA DE INSTALACIÓN
INSTALLATION TEMPLATE

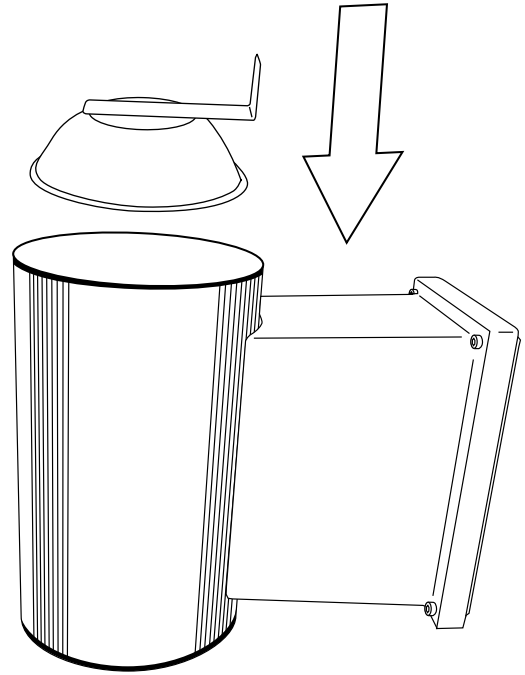
1



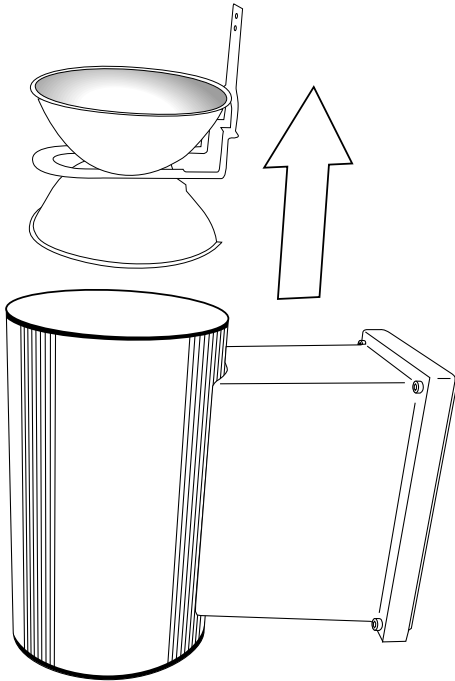
2



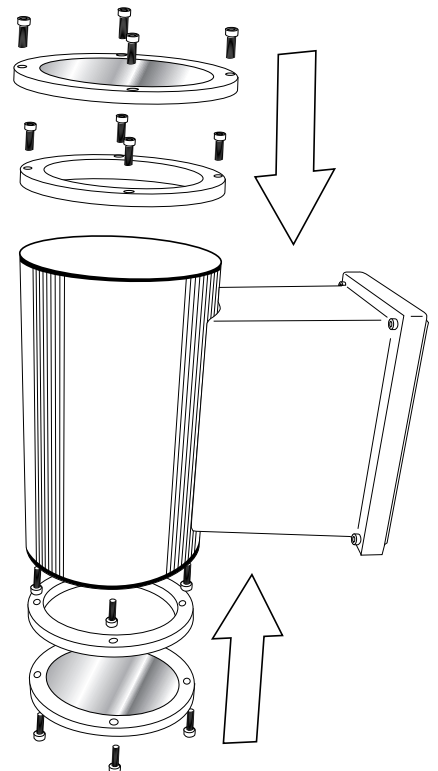
4



3



6



5

